

Adeka Ultra Seal MC-2010MN

General Description:

MC-2010MN is a chemically modified natural rubber product. This patented process chemically bonds a hydrophilic agent to the rubber. This permits the seal to undergo controlled expansion when exposed to moisture. This expansion capability provides a "double locking" water-stop. One from rubber's natural resilience and one from expansion.

Expansion occurs in three dimensions: width, height, and length. MC-2010MN has a unique stainless steel wire mesh embedded within the material. The wire mesh eliminates unnecessary expansion in the length and width dimensions. When fastened to concrete, the wire mesh prevents "winding" action and directs the expansion.

MC-2010MN has excellent durability and resistance to chemical contaminants. It can perform a wide range of solutions such as sea water or cement water. The material does not contain any toxic substance or heavy metals and is environmentally safe. **MC-2010MN is NSF 61 Certified.**

Basic Use:

Used in general below grade concrete joint work where water intrusion must be prevented. MC-2010MN is designed to replace conventional waterstop. It is also used for piping penetrations where pipe diameter exceeds 24".

Note: MC-2010MN must be placed between two rows of rebar. The required concrete coverage varies from 3.25"~4.0" depending on concrete strength. For example, if concrete psi is 4260 or greater the required concrete coverage is >3.25". If the concrete psi is 2550 or less, the required coverage is >4".

Technical Properties:

Size:	20mm x 10mm
Hardness:	30 (ASTM D2240)
Tensile Strength:	100 psi (ASTM D412)
Elongation (%):	500% (ASTM D412)
Volume Exp. Coefficient:	2
Vulcanization:	No
Days to Max Vol Expansion:	35

(Tested by press sheet of MC compound)

Packaging:

82 feet/case: 17.4lbs/case

Installation:

All methods of installation require a minimum of 3.25"~4.0" depending on concrete strength. See Note.

Equus Industries Ltd
PO Box 601
Blenheim
Phone: 03 578 0214 Fax 03 578 0919
Email: admin@equus.co.nz
Web: www.equus.co.nz

Smooth Concrete Surface:

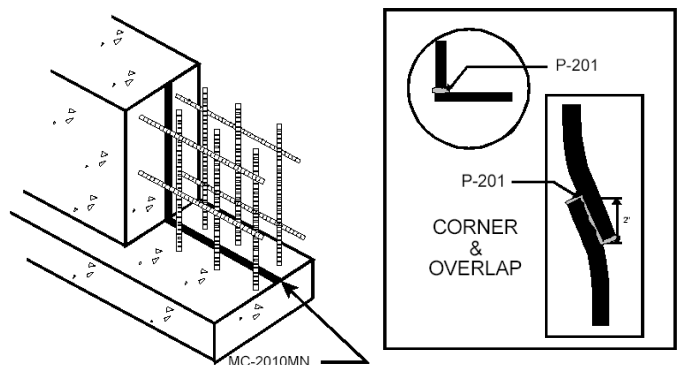
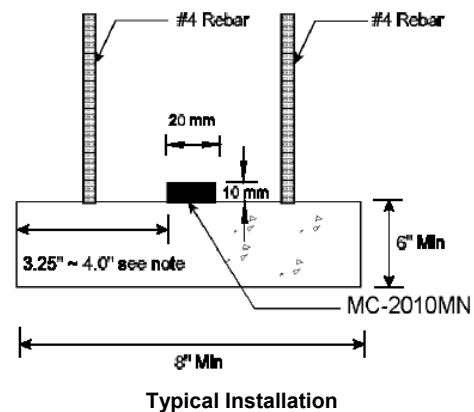
Blast clean (using forced air, water, etc.) debris from the surface of the concrete. Apply 3M-2141 or Bostik 1142M adhesive to SSD (saturated surface dry) concrete and allow to set approximately 15 minutes or until tacky. Press MC-2010MN firmly into place. Parallel lap the ends a minimum of 2 inches when joining. Cut the strip to fit corners closely and apply P-201 over joint.

Alternate Method:

Nail/screw MC-2010MN in place using concrete nails/screws placed 10-12 inches apart. Apply tension to the strip while nailing to obtain close adhesion to the concrete.

Rough Surface:

Blast clean (using forced air, water, etc.) debris from the surface. Apply a continuous bead of P-201 to SSD (saturated surface dry) concrete. Place MC-2010MN on the P-201 and nail/screw to hold in place if necessary.



Precautions In Use:

MC-2010MN has good resistance to a number of chemical contaminants. However some chemicals in higher concentrations may affect the performance of MC-2010MN. Consult your local Equus representative concerning any unusual chemical contaminants.

Note: Concrete coverage varies from 3.25" ~ 4.0" depending on concrete strength.