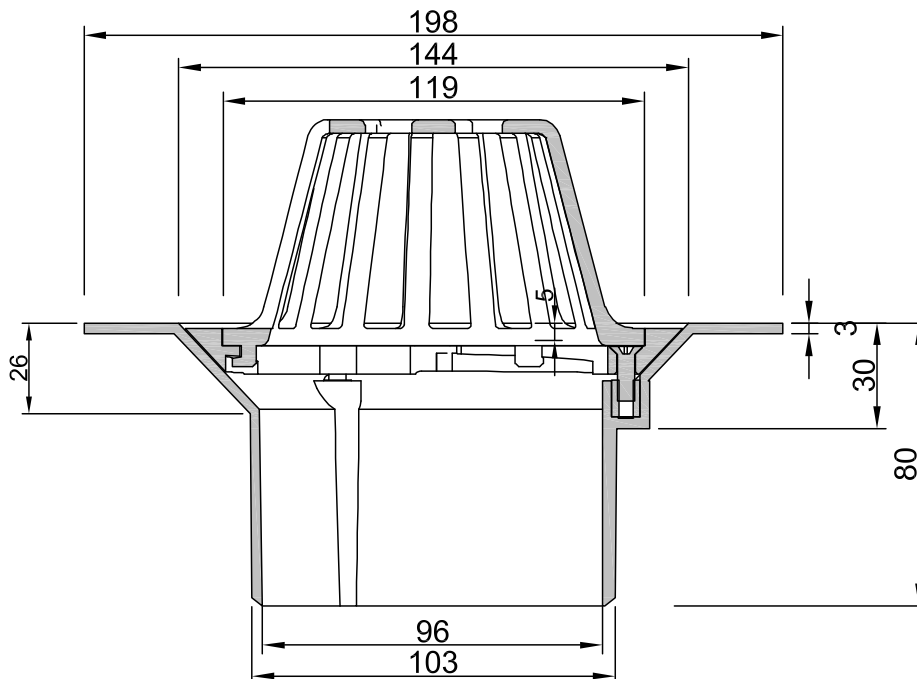
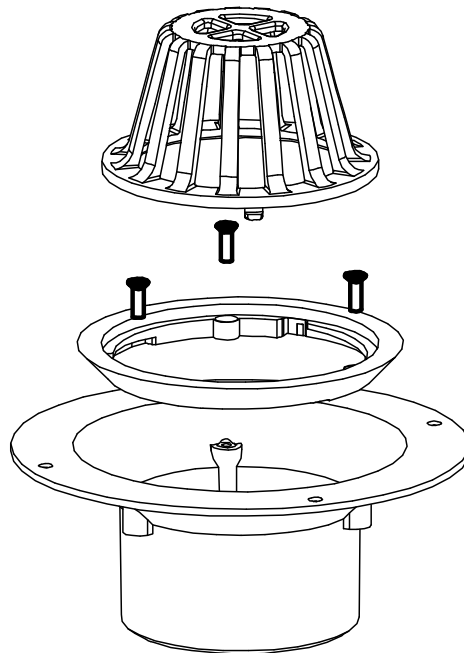


**ALLPROOF INDUSTRIES DOMED VINYLRITE DRAIN
100MM MEMBRANE FINISH GUTTER OUTLET**

Independent Flow Rate Test (Branz): 91 litres/minute under 25mm head of water

Specification Code	Description	Standard Finish
VR100DOME	100mm Domed drain with PVC base flange, clamp ring and dome	Cast Bronze clamp ring and dome



Due to Allproof Industries ongoing product development program product designs may be changed without notice.